



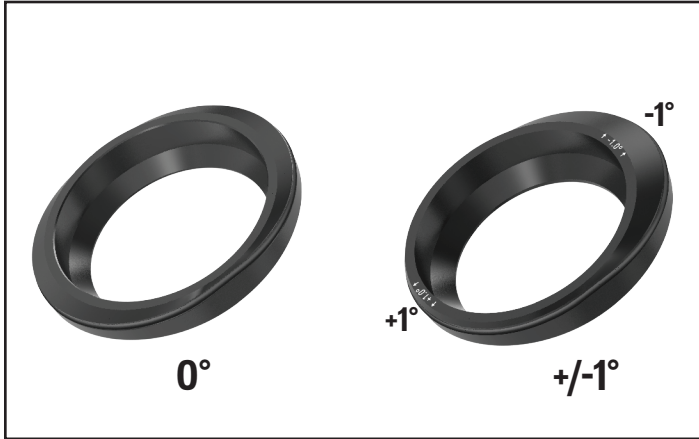
SERVICE GUIDE

ADJUSTABLE HEADSET CUP



GENERAL SERVICE INTERVAL

Similar to conventional headsets, the system on this bike requires periodic maintenance. Duration will change based on environmental conditions, but keeping the system clean and properly greased will ensure the headset parts have the longest possible life. Approximately every 30 hours we recommend the following:



SERVICE PROCEDURE

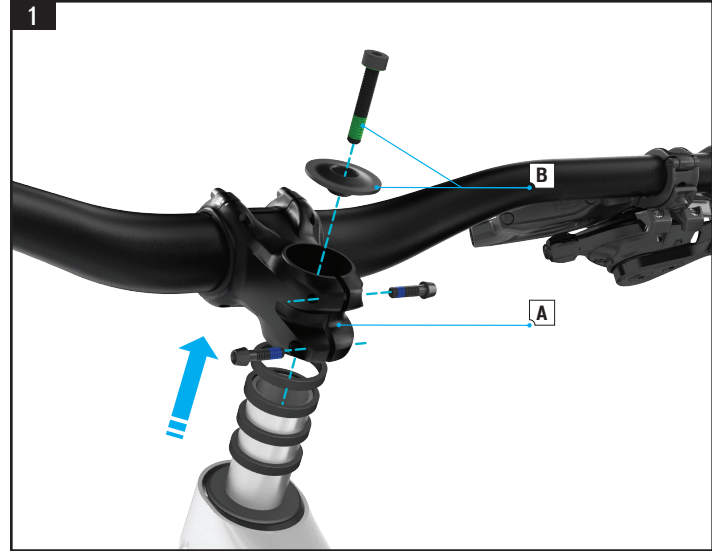


Fig. 1

- Remove the stem (A) and headset top cap and bolt (B).

SPECIALIZED BICYCLE COMPONENTS

15130 Concord Circle, Morgan Hill, CA 95037 (408) 779-6229
0000158363_SG_R1, 10/20

We may occasionally issue updates and addendums to this document. Please periodically check www.specialized.com or contact Rider Care to make sure you have the latest information.
Info: specialized.com / 877-808-8154



Fig. 2

- Remove the fork.

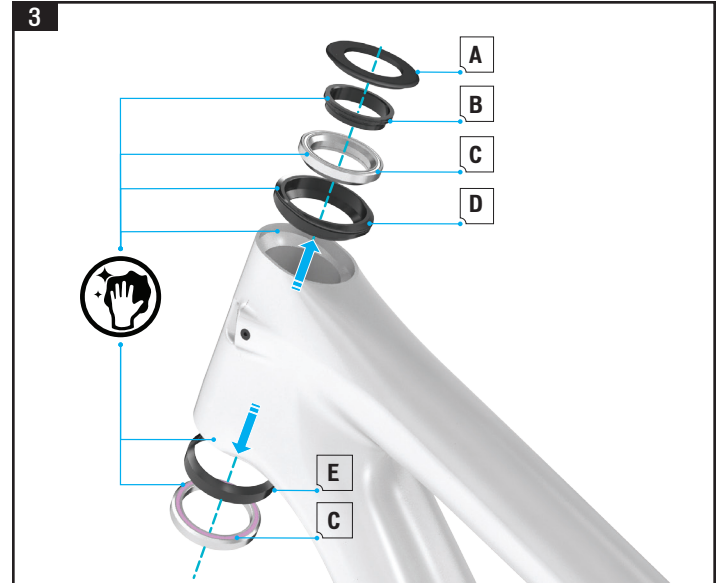


Fig. 3

- Remove the headset cap (A), compression ring (B), headset bearings (C), and Specialized alloy top (D) and bottom (E) cups.
- Clean all contacting surfaces of dirt and old grease.



Fig. 4

- Remove and clean the fork crown race (A).

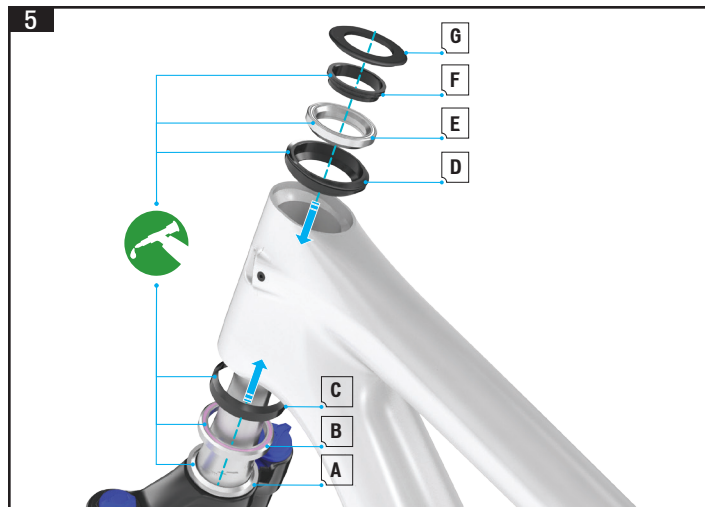


Fig. 5

- Grease all contacting surfaces with a high quality, waterproof grease.
 - A: Crown race (at fork and bearing)
 - B: Lower bearing (at crown race and cup)
 - C: Lower cup (at bearing and frame)
 - D: Upper cup (at frame and bearing)
 - E: Upper bearing (at cup and compression ring)
 - F: Compression ring (at fork and bearing)
- Install the headset parts, bearings, cups, compression ring, and headset cap (G) into the frame. These parts drop into the frame; no tools are required.
- Grease and install the crown race on the fork.

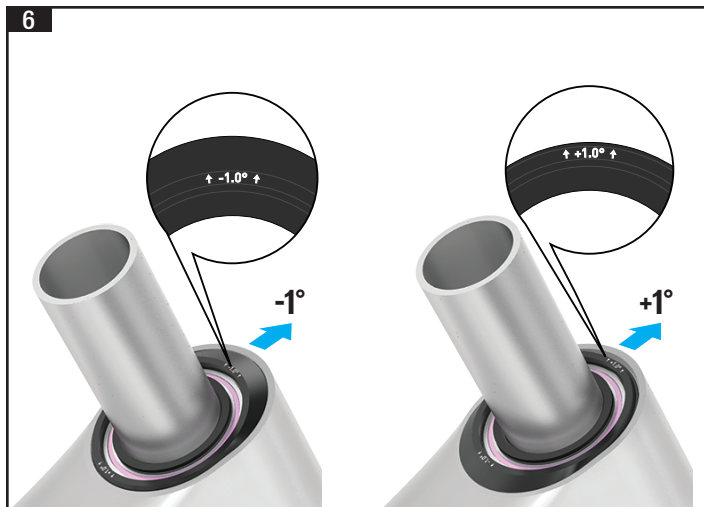


Fig. 6

- When aligning the headset cup, the etching facing the front of the bike indicates which setting you are in.

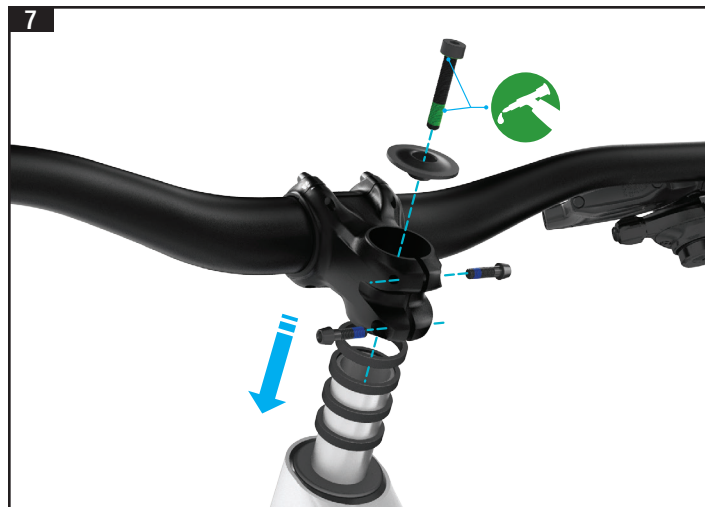


Fig. 7

- Reassemble the system.



CAUTION: Bolt-clamping order is critical and should be completed as follows.

1. Tighten the top cap bolt to pre-load the headset. There should be no free play in the assembly and the handlebars should rotate freely.
2. With the bike on the ground, pull the front brake and rock the bike back and forth to ensure the headset is fully seated.
3. Recheck the top-cap tightness, then torque the stem according to manufacturer's recommendations.

- Wipe off excess grease and clean with isopropyl alcohol to prevent dirt accumulation.

MAKING A GEOMETRY CHANGE

While the system is user friendly and requires no special tools to change the bike geometry, we recommend making changes to the bike geometry in a shop environment to ensure the system stays clean and free of dirt and debris. If any surfaces in the system appear dry, dirty, etc. please refer to the directions above to keep the system running smoothly and quietly.



CAUTION: Changing the frame configuration (Flip Chip position, tire size, fork length) can alter the BB height and/or the head tube angle, which can have negative effects on the bike's handling characteristics and ride quality. Please refer to your Authorized Specialized Retailer before making any modifications.



INFO: For information on the geometry when adjusting the flip chips visit www.specialized.com.

REPLACEMENT PARTS

HDS MY21 SJ EVO CARBON HEADSET CUP- S202500010	Includes both nominal and angle top caps, plus the lower alloy cup used in all configurations.
STOCK SBC SJ EVO HEADSET- S182500005	Includes all headset compression ring, top cover, bearings, and crown race.



INFO: Replacements for all headset parts are available.



TECH TIP: We recommend replacing headset bearings that have visible corrosion on the outer races and/or audible or tactile grit when rotated.